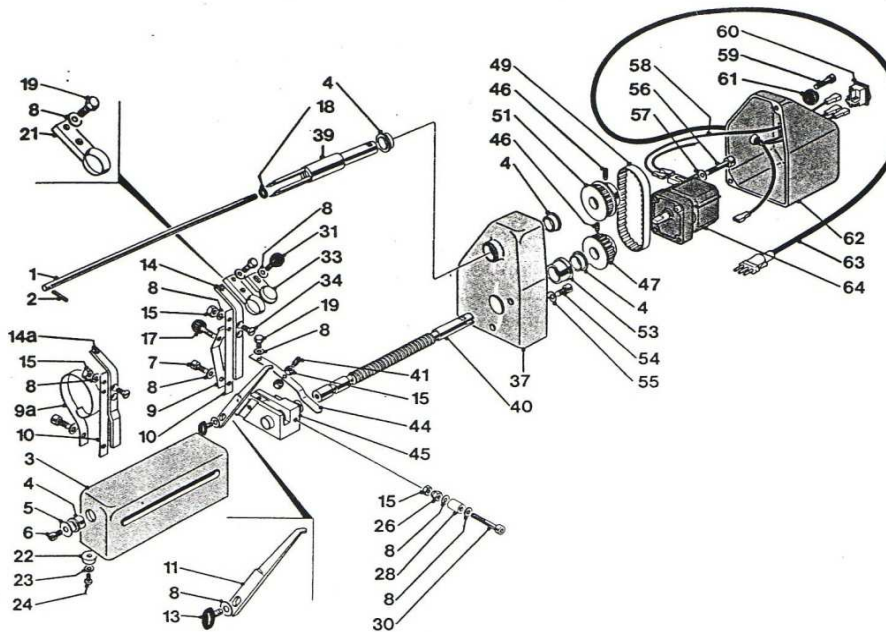


## Explosionszeichnung Apfelschälmaschine EVA 13065



Pos.	Bezeichnung	Pos.	Bezeichnung
1	ejector shaft	31	Hand wheel M4x6
2	ejector pin	33	Cover
3	Machine bench	34	Screw M4x8
4	Bushing 17/15	37	Machine head
5	Washer Ø 5	39	Spindle
6	Screw M5x8	40	Feeding screw
7	Screw M4x10	41	Screw M4x12
8	Washer Ø 4	44	Feeding spring
9	Adjustment spring	45	Blades holder group
9a	Spring	46	Screw M5x8
10	Fixed spring	47	Motor pulley
11	Square blade	49	Driving belt
13	Hand wheel M4x20	51	Pulley
14	Blade-holder	53	Connection bushing
14a	Blade-holder	54	Screw M6x16
15	Nut M4	55	Washer Ø 6
17	Hand wheel M4x16	56	Screw M5x30
18	Ring OR	57	Washer Ø 5
19	Screw M4x10	58	Electric cable
21	Peeler blade	59	Screw M5x16
22	Rubber foot	60	Switch
23	Washer Ø 3	61	Knob
24	Screw M3x11	62	Machine cover
26	Flanged nut M4	63	Cable with plug
28	Guide roller	64	Geared motor
30	Screw M4x30		